

Corsair Obsidian Series 800D

User Manual



Corsair Obsidian Series 800D
High Performance Computer Chassis

Congratulations on the purchase of your new Corsair Obsidian Series 800D high-performance PC chassis. The Obsidian 800D has been designed to offer high-end features and performance, such as an innovative cooling design and support for liquid cooling systems. We hope it serves you well in your quest to build your ultimate Dream PC!

CONTENTS OF USER MANUAL

Contents

1.0. Product Overview	4
1.1. Specifications	4
1.2. Parts List.....	5
1.3. Accessories Included.....	6
2.0. Operation	7
2.1. How to remove and re-install side panels	7
2.1.1. Removing the side panel.....	7
2.1.2. Re-installing the side panel.....	7
2.2. How to remove and re-install the front panel.....	8
2.2.1. Removing the front panel	8
2.2.2. Re-installing the front panel	9
2.3. How to install a hard drive into the hot-swap drive dock	9
2.3.1. Attaching cables to the SATA backplane.....	9
2.3.2. Installing a SATA drive.....	11
2.3.3. Reversing the front door (optional).....	13

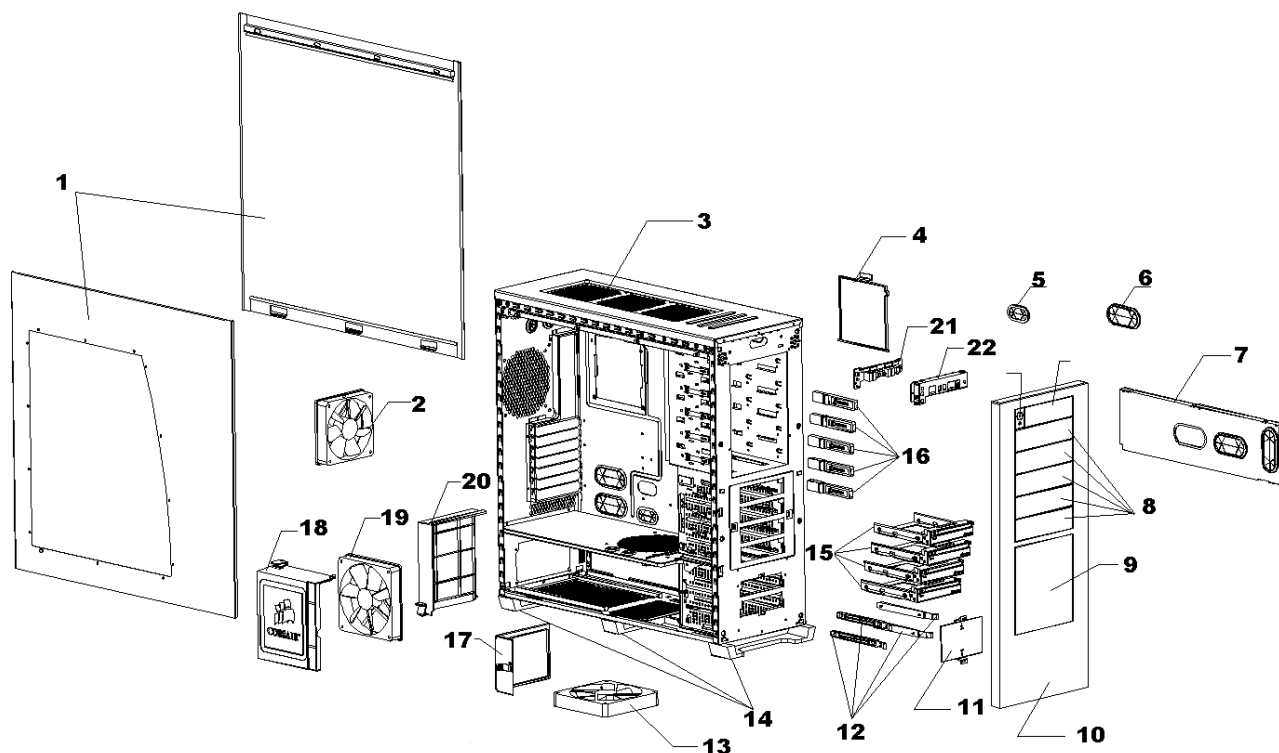
2.4.	How to install a hard drive into the lower 3.5" drive bays	14
2.5.	How to use the CPU heatsink backplate door	16
2.6.	How to install an optical drive	17
2.7.	How to install the motherboard	18
2.8.	How to install the power supply	20
2.9.	How to remove or add case fans	20
2.9.1.	140mm HDD Bay fan	20
2.9.2.	120mm lower HDD Bay fan.....	22
2.9.3.	Top case exhaust fans	22
2.9.4.	Rear case fan.....	22
2.9.5.	Bottom intake fan	23
2.10.	How to remove the dust filter for maintenance.....	23
2.11.	How to install add-in cards	24
2.12.	How to connect the front panel connectors.....	25
2.12.1.	Audio, USB, 1394A, etc.	25
2.12.2.	Power, Reset, HDD LED, PWR LED	25
3.0.	Support and Warranty Info.....	26
3.1.	Contacting Technical Support	26
3.2.	Warranty Information	26

1.0. Product Overview

1.1. Specifications

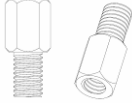

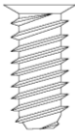







Dimensions	24" (H) x 24" (L) x 9" (W) - (609mm x 609mm x 229mm)
Material	Aluminum Faceplate, Steel Structure
Color	Black
Model	800D
Drive Bays	(x5) 5.25"
	(x4) 3.5" SATA Hot Swappable
	(x2) 3.5" Internal
Cooling	(x3) 140mm Fans
	Up to 4x 120mm Fans (not included)
Expansion Slots	7 (+1 vent)
Motherboard	ATX, mATX, EATX
Front I/O	(x4) USB 2.0
	(x1) IEEE1394
	(x1) Headphone, (x1) MIC
Power Supply	ATX (not included)

1.2. Parts List



1 – Side Panels	9 – HDD Drive Dock Door	17 – Lower HDD bay shield
2 – 140mm rear fan	10 – Front Bezel	18 – HDD Drive Dock Fan Shroud
3 – 3 x 120mm top fan vents	11 – Lower HDD bay cover	19 – 140mm HDD fan
4 – CPU backplate cover	12 – Lower HDD bay rails	20 – HDD SATA Backplane Shield
5 – Small rubber grommet	13 – 140mm intake fan	21 – Front I/O ports
6 – Large rubber grommet	14 – Case feet	22 – Front I/O port cover
7 – PSU bay shield	15 – HDD Drive Dock trays	
8 – 5.25" Bay Covers	16 – Tool-free mechanism	

1.3. Accessories Included

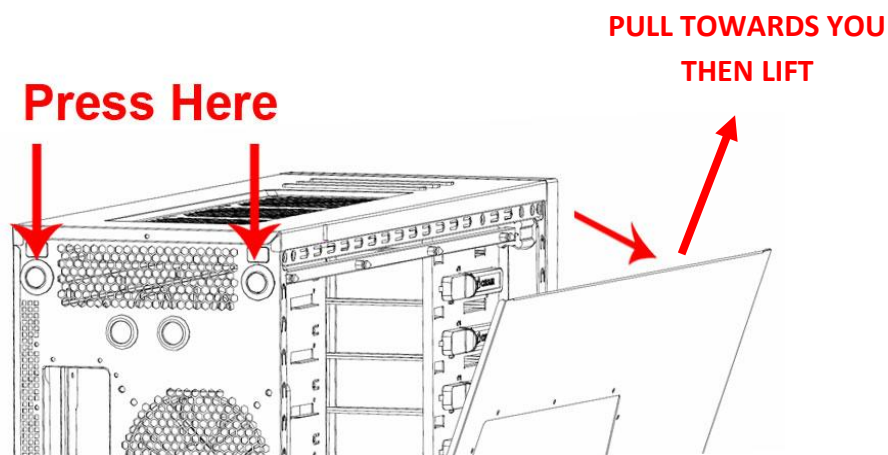
Image	Part Name	Qty	Used for
	Copper Stand Off (color black)	16	M/B Tray
	Hard Drive and Motherboard Screws (color black)	36	Motherboard, Hard Drives
	Case Fan Screws (color black)	14	For top mount fans
	Lower Hard Drive Bay Fan Screws (color black)	6	For lower HDD bay fan
	Drive Rails (color black)	4	Lower HDD bay drive install
	Rubber Vibration Damper for 120mm fan (color black)	1	Lower HDD bay fan
	SATA power connector adapter (color black)	1	SATA backplane power
	Nylon zip ties (color black)	8	Cable management
	SATA data cables (color black)	4	SATA backplane data
	8-pin CPU power connector extension cable	1	Extends CPU power connector on PSUs with shorter power leads

2.0. Operation

2.1. How to remove and re-install side panels

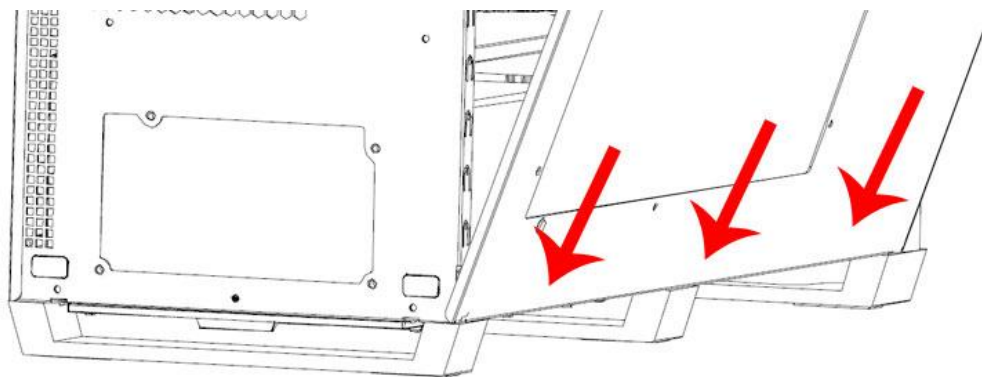
2.1.1. Removing the side panel

Press and hold the release button on the rear of the case for the corresponding side panel. Gently pull the side panel away from case and then lift vertically to remove the panel.

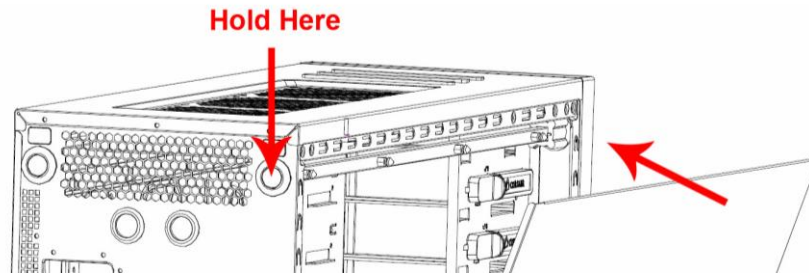


2.1.2. Re-installing the side panel

Step 1 – Slide the side panel back into the case, making sure to catch the three grooved latches at the locations indicated above.



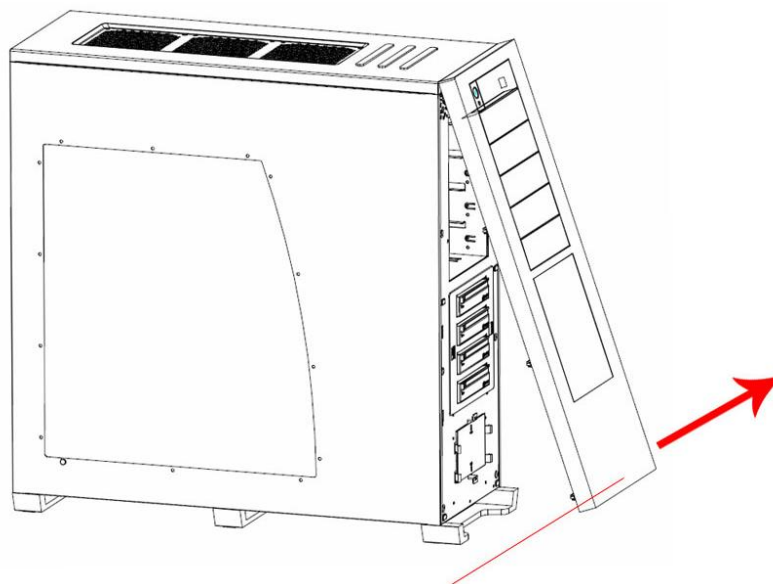
Step 2 - Once the panel is securely latched to the bottom of the case, tilt the side panel back up into the case while holding the corresponding release button. When the side panel is flush, release the button and the side panel will lock into place.



2.2. How to remove and re-install the front panel

2.2.1. Removing the front panel

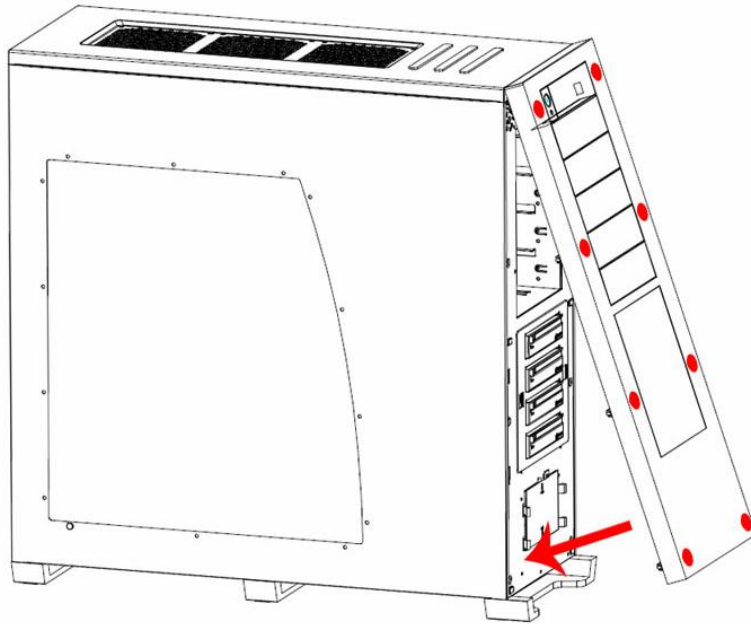
Standing in front of the case, reach under the bottom of the front panel and, using firm pressure, pull upwards and forwards. The front panel is not held in place with any screws or wires, but must be removed in order to access the lower drive bay or remove 5.25" bay covers



**Grasp here. Pull
firmly but carefully.**

2.2.2. Re-installing the front panel

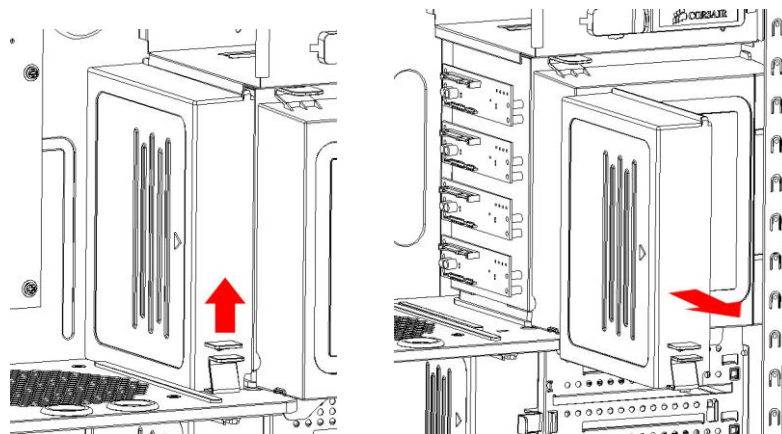
Once you are ready to re-install the front panel, line up the mounting pegs with the holes, as indicated in the above image. Press the front panel firmly on the locations indicated until it latches.



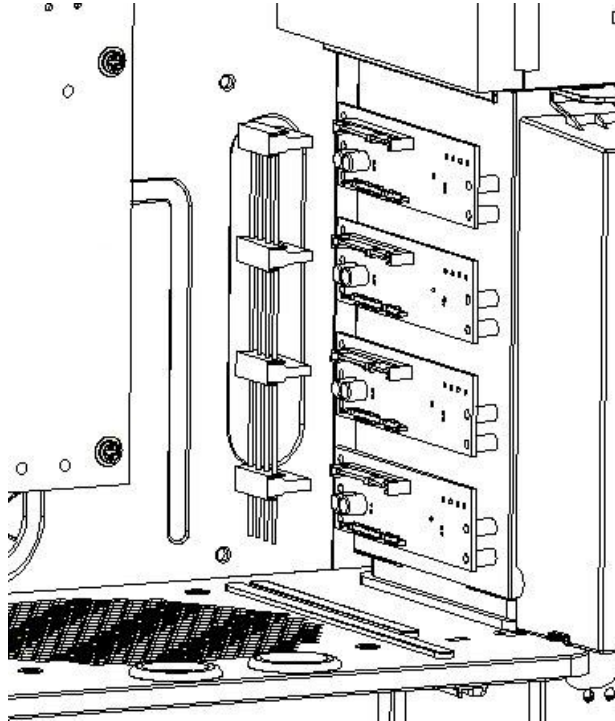
2.3. How to install a hard drive into the hot-swap drive dock

2.3.1. Attaching cables to the SATA backplane

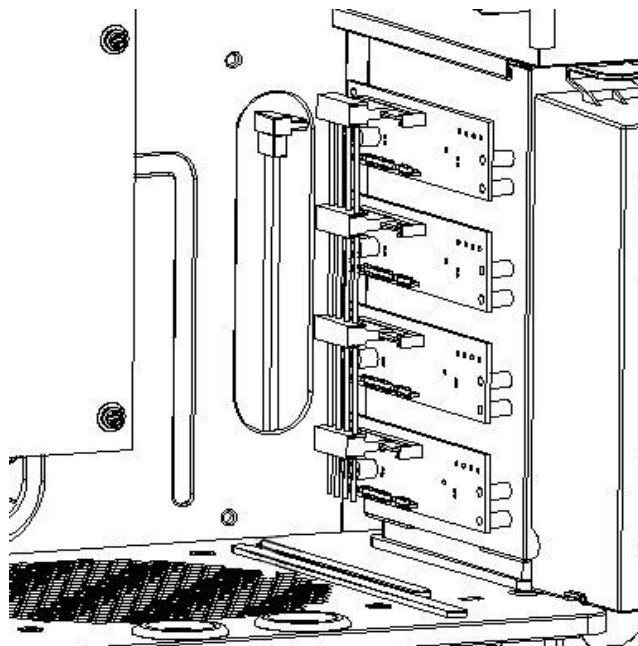
Step 1 – Remove the cover of the SATA backplane as shown.



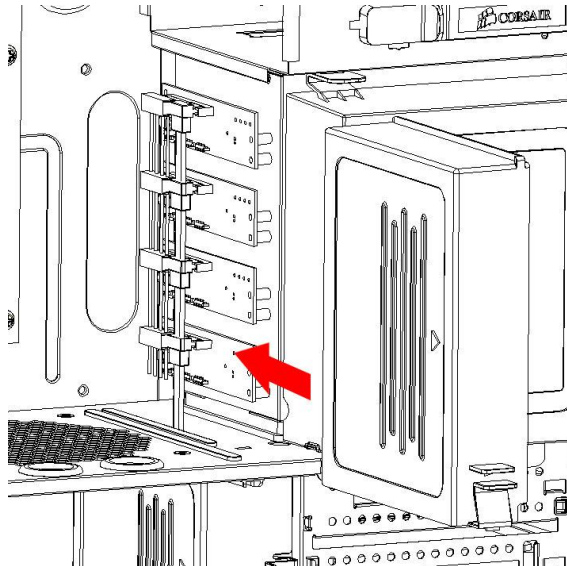
Step 2 – Connect the included power cable to the SATA backplane.



Step 3 – Connect the included SATA data cables to the SATA backplane.



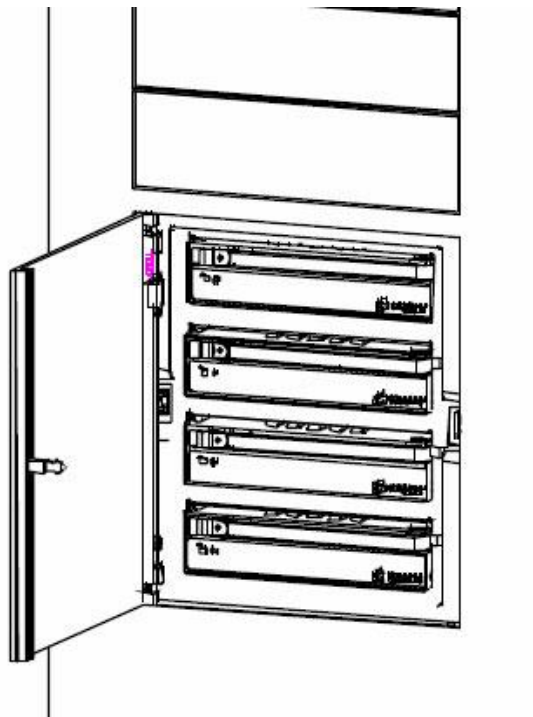
Step 4 – Re-attach cover.



2.3.2. Installing a SATA drive

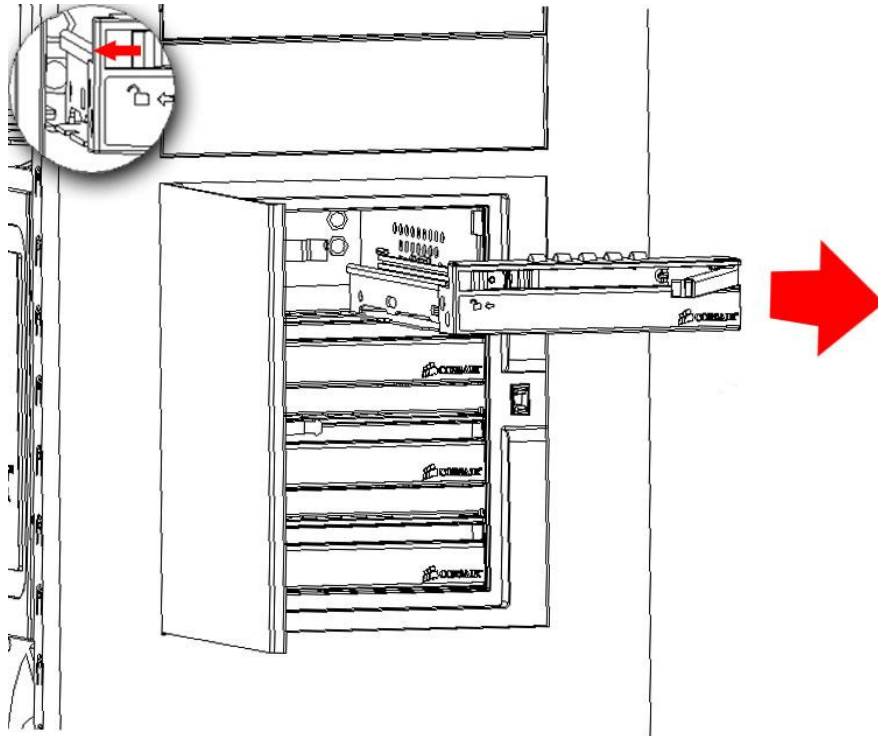
Step 1 – Open the door

Gently press on the side of the front door and it will pop open.



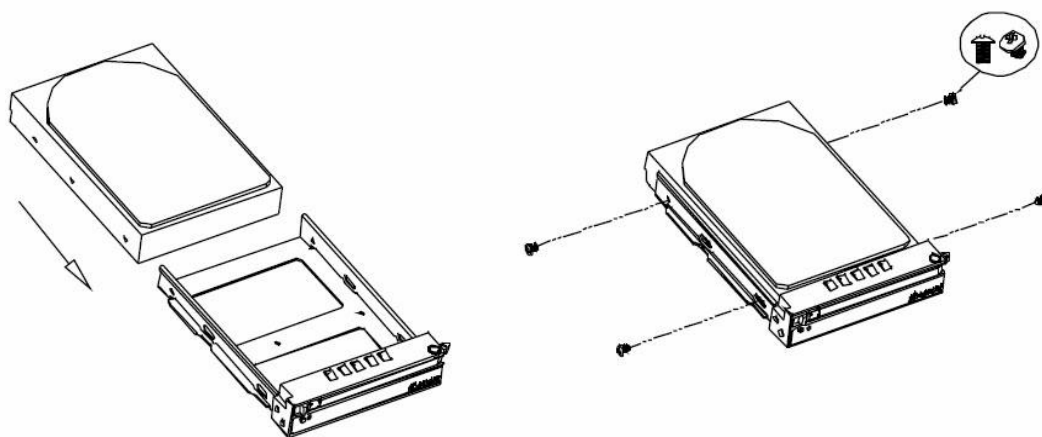
Step 2 – Remove the drive carrier

Press the release switch and pull the drive carrier out of the drive bay using the pull tab.



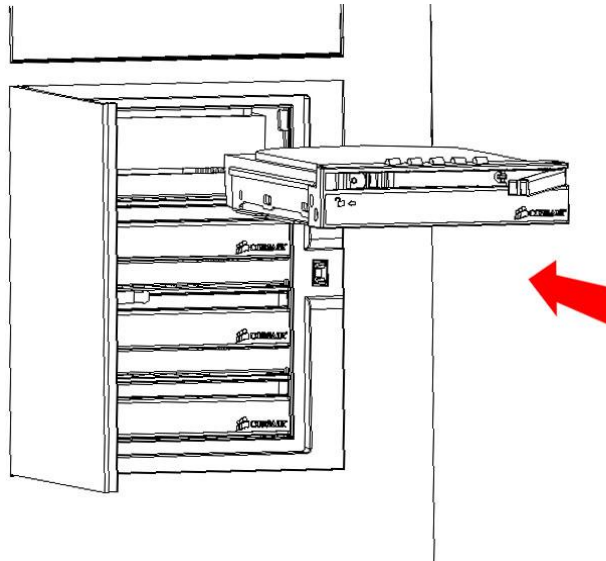
Step 3 – Install the SATA hard drive into the drive carrier

Use the four provided screws (two per side).

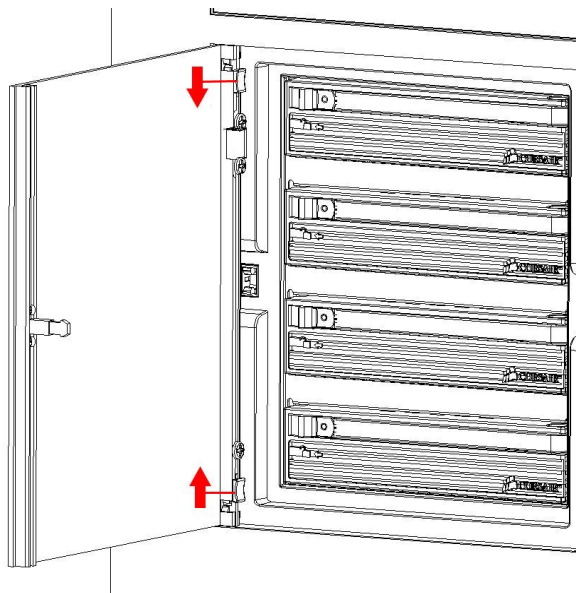


Step 4 – Re-install the drive carrier into the drive bay.

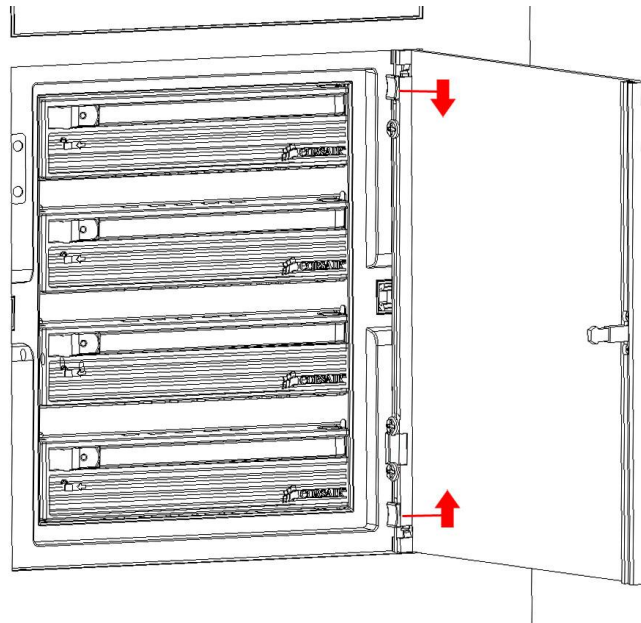
Gently slide the drive carrier back into the drive bay, leaving the pull handle open. Once the carrier is secure in the bay, close the handle until it latches shut.

**2.3.3. Reversing the front door (optional)**

Step 1 – Open front door and press in carefully on the two latches highlighted above.

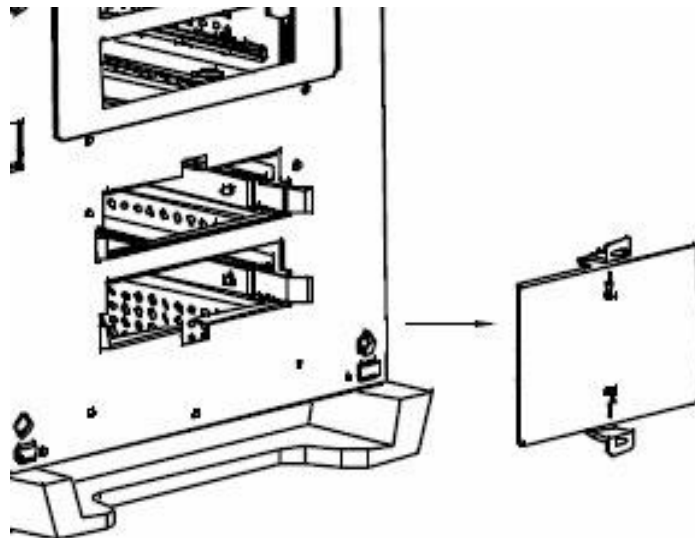


Step 2 – Relocate the door as seen here, holding both latches until lined up with the appropriate holes.

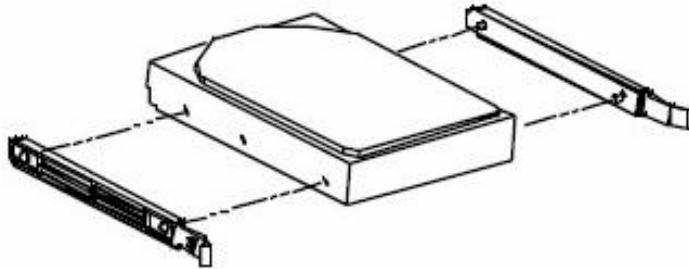


2.4. How to install a hard drive into the lower 3.5" drive bays

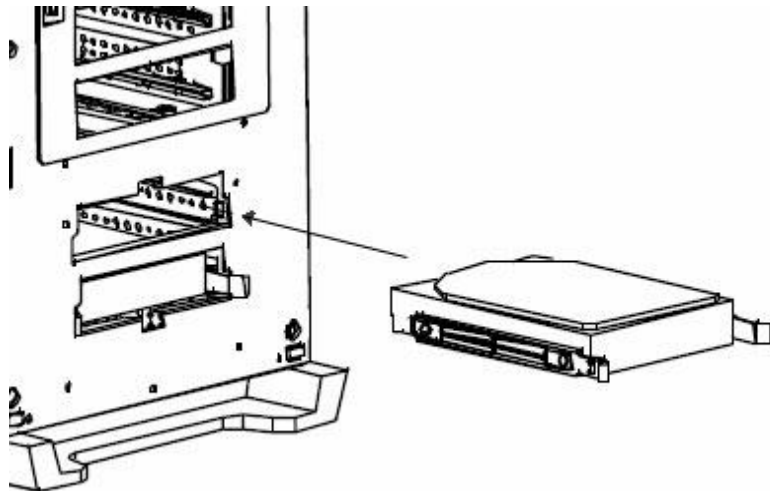
Step 1 - With the front panel of the case removed (see 2.2.1), simultaneously press the top and bottom tabs of the lower hard drive bay cover plate.



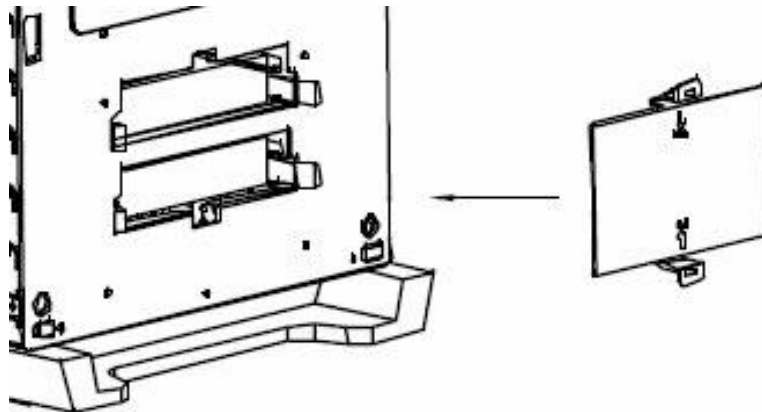
Step 2 - Use the included drive rails, one per side, as pictured above.



Step 3 - Once the drive rails are installed on the drive, slide it into the bay until it clicks in place and is secure.

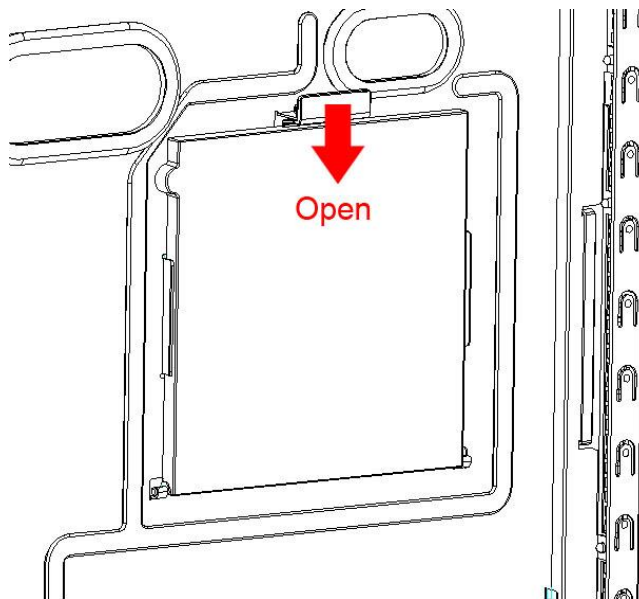


Step 4 - Re-attach the drive bay cover plate as shown.

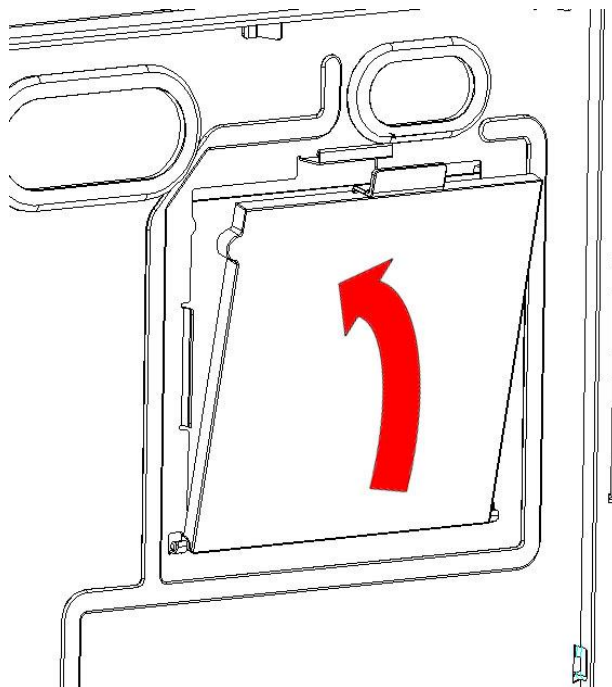


2.5. How to use the CPU heatsink backplate door

Step 1 – Gently press on the tab and pull the CPU heatsink backplate door downwards.

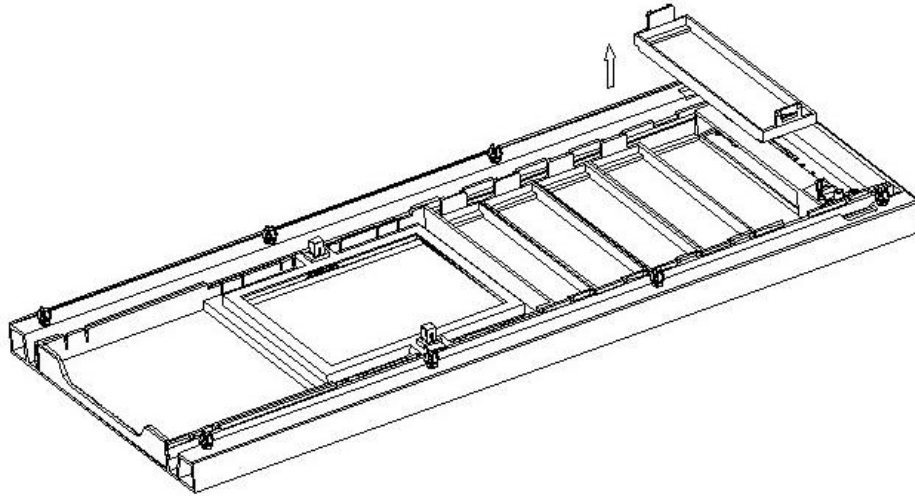


Step 2 – Once you have successfully installed your heatsink, simply lift the door up and press until it latches shut.



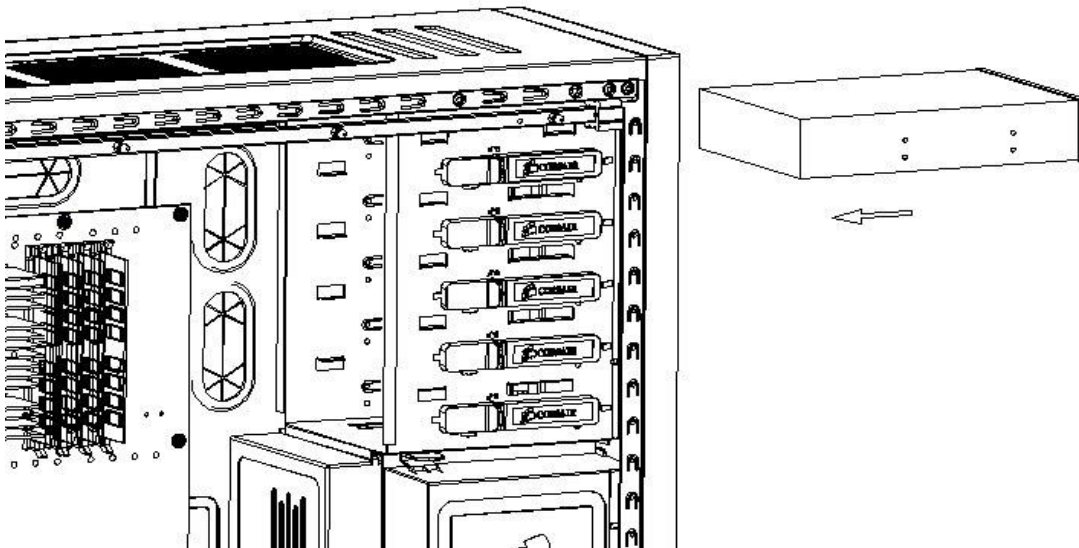
2.6. How to install an optical drive

Step 1 – Remove the front panel from the case (see 2.2.1).

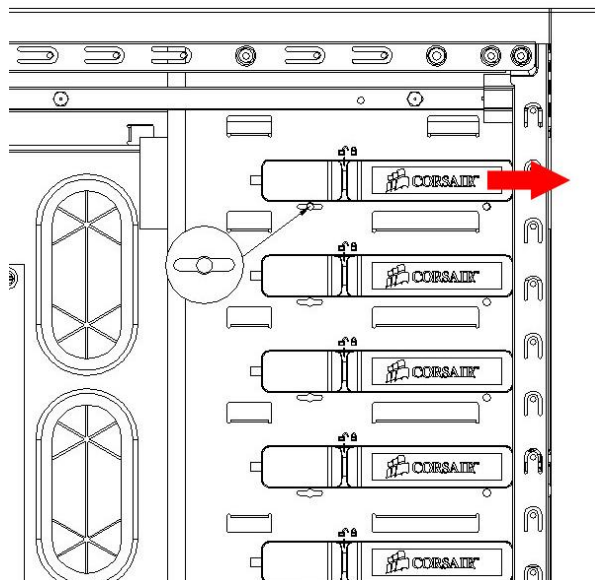


Step 2 – Decide which bay you will use and remove the corresponding front drive bay cover from the front panel.

Step 3 – Slide your optical drive into the appropriate bay.

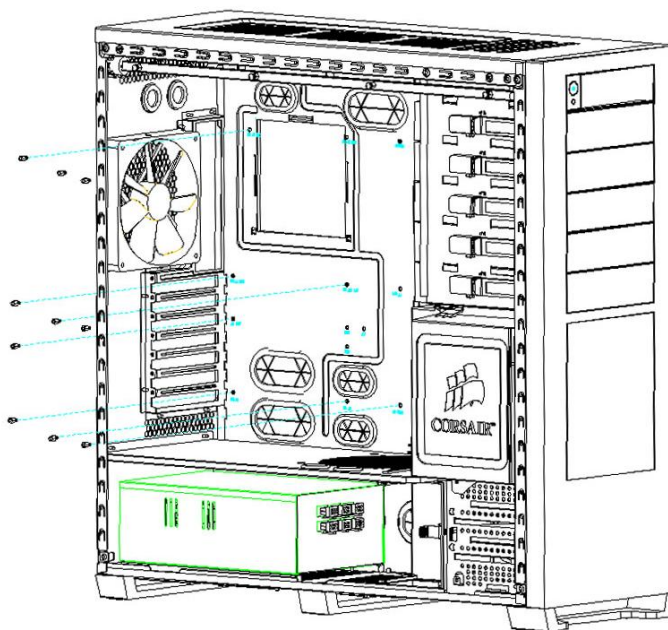


Step 4 – When the screw hole lines up as shown below, push the latch forward until it locks, then re-install the case front panel as in 2.2.2.

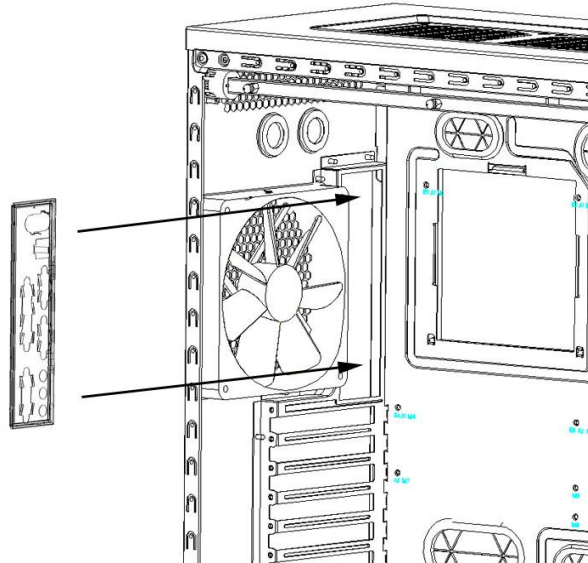


2.7. How to install the motherboard

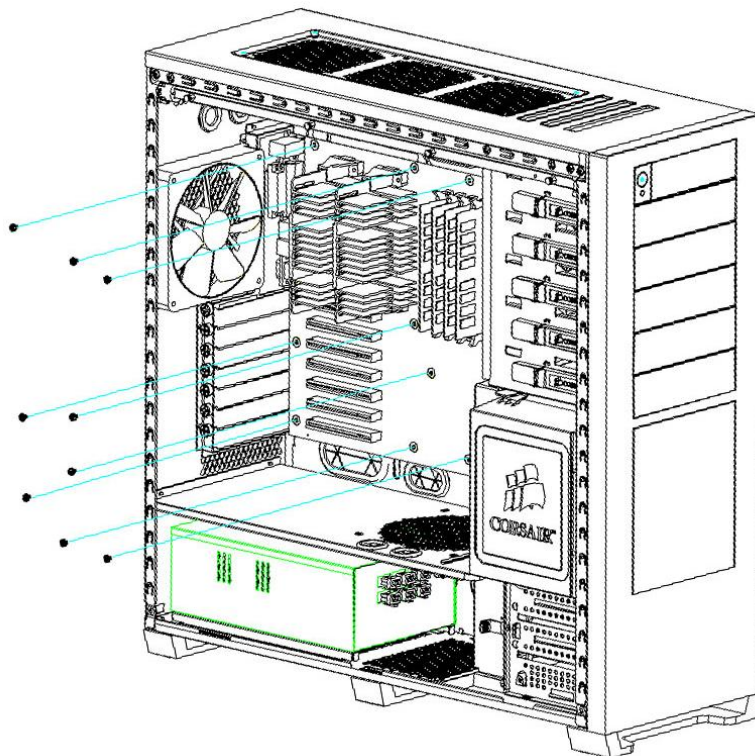
Step 1 – Determine what type of motherboard you have and install the black colored copper standoffs appropriately. (NOTE: standoffs may be pre-installed for some common board layouts)



Step 2 – Place the I/O plate in the rear of the case. (This is provided by the motherboard manufacturer).

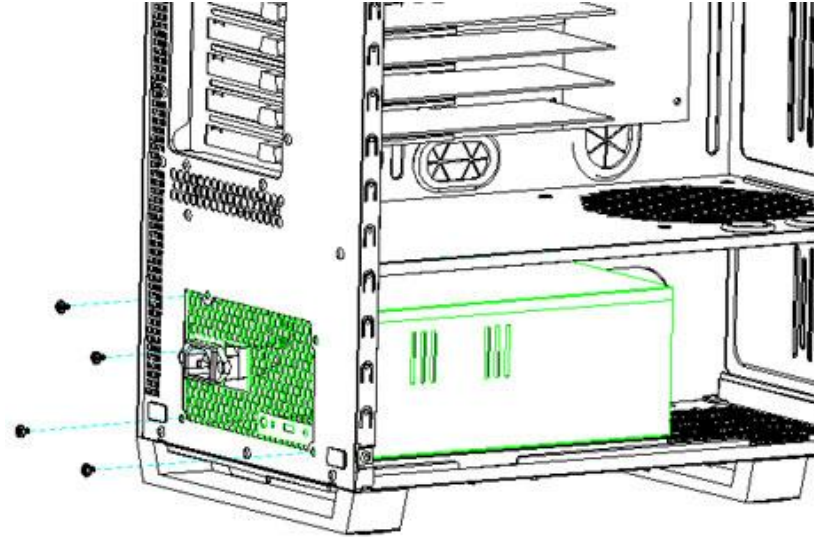


Step 3 – Line up the motherboard with the I/O shield and the mounting holes, and use the screws provided to secure the motherboard into the case.



2.8. How to install the power supply

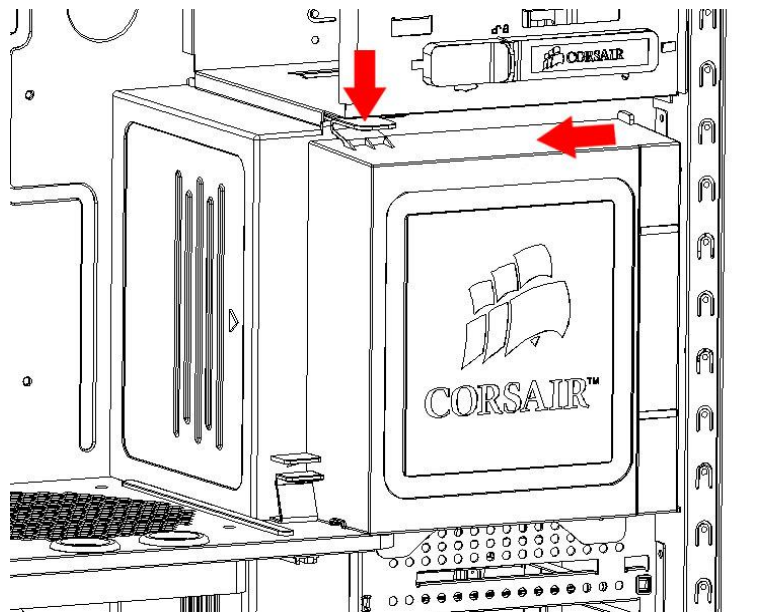
Place the power supply in the bottom power supply bay and install the screws as shown.



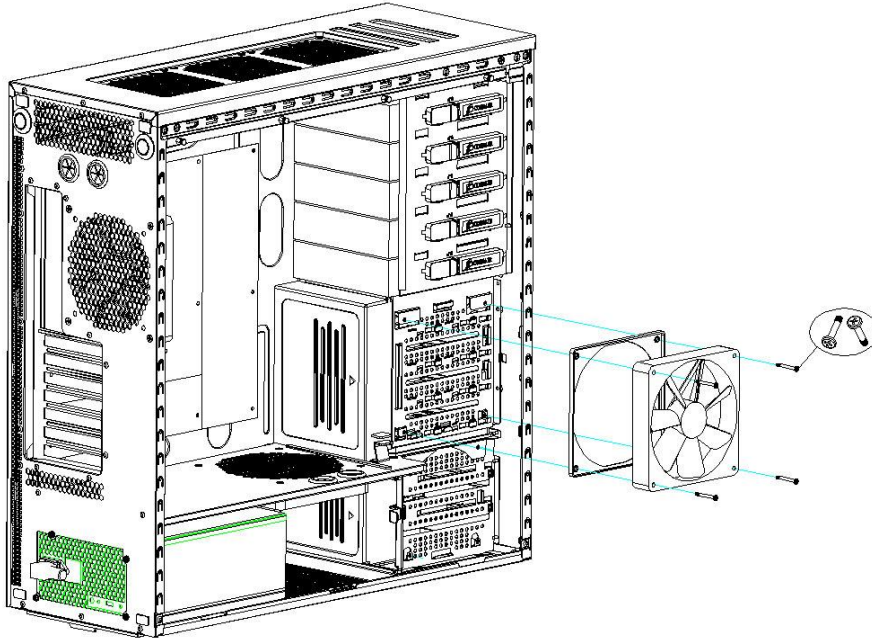
2.9. How to remove or add case fans

2.9.1. 140mm HDD Bay fan

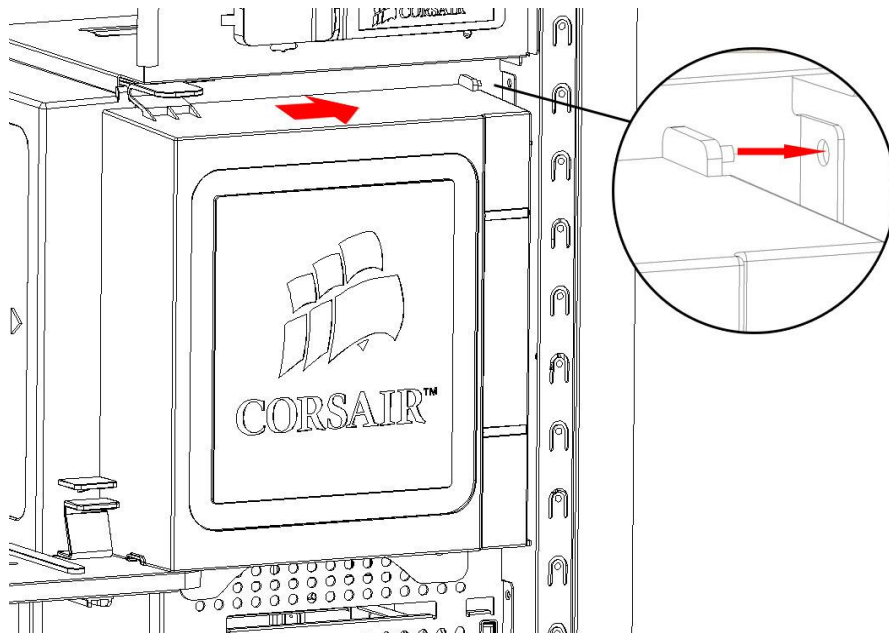
Step 1 - Remove the plastic cover from the side of the hot-swap drive bay.



Step 2 - You now have access to the four screws that hold the 140mm fan in place. Remove these screws to remove or replace this fan.

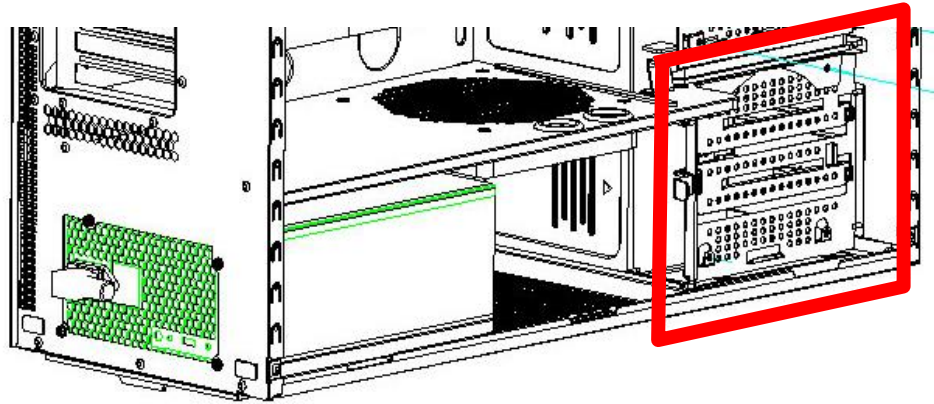


Step 3 – Replace the hot-swap drive bay fan cover.



2.9.2. 120mm lower HDD Bay fan

See instructions above for 140mm fan installation for hot-swap drive bay. Use the included screws and rubber fan grommet to install a 120mm fan in the space provided (see below).

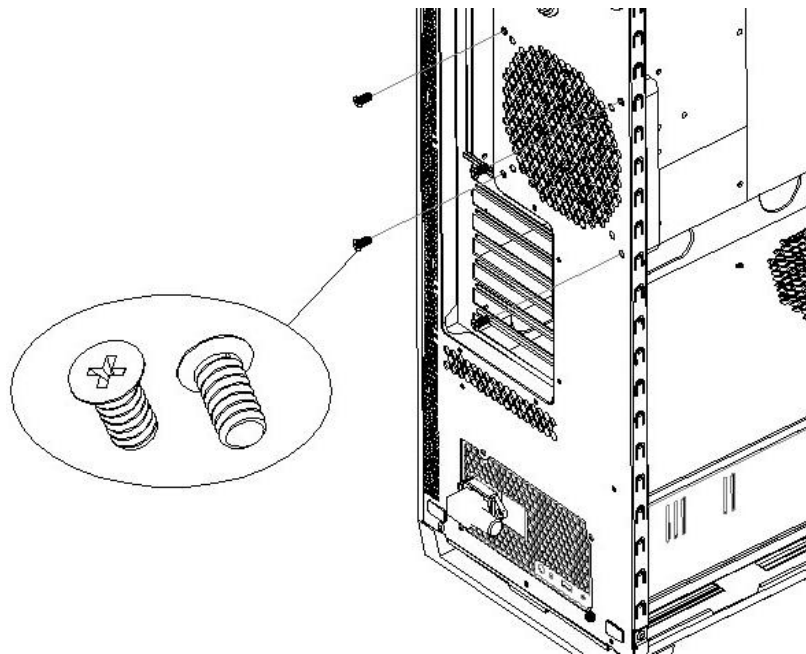


2.9.3. Top case exhaust fans

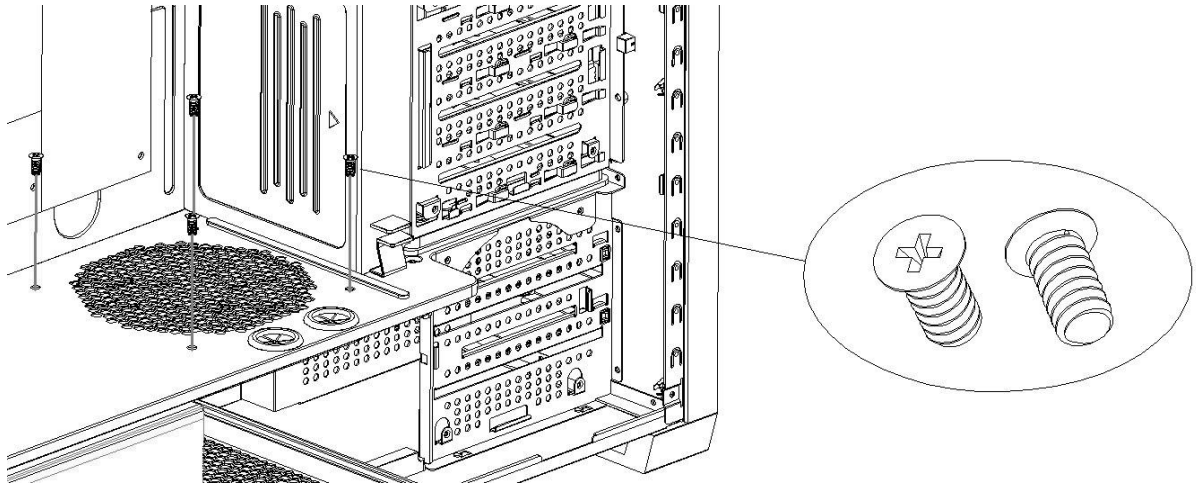
Use the provided case fan screws to screw the fans into the top of the case.

2.9.4. Rear case fan

Remove screws from rear of case as shown above.

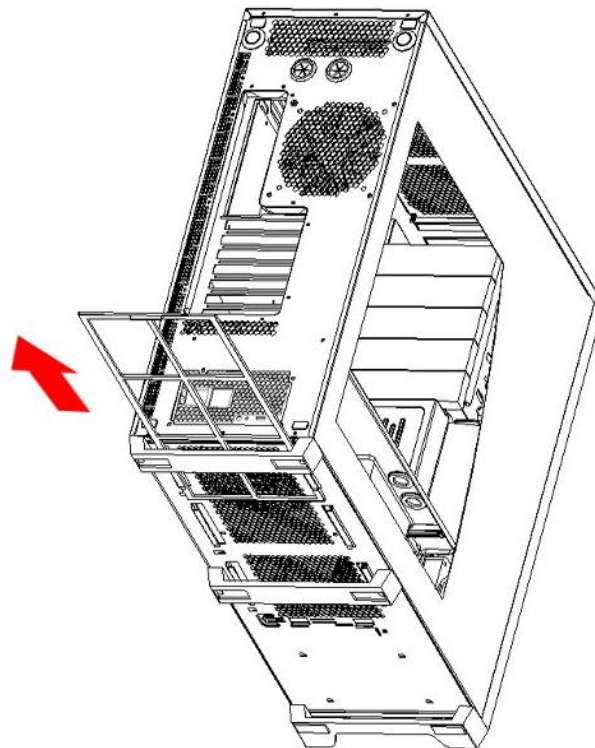


2.9.5. Bottom intake fan – Remove screws from case separator, as shown.



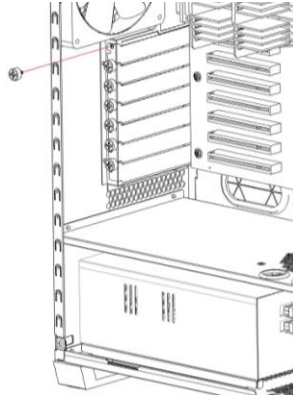
2.10. How to remove the dust filter for maintenance

Remove the dust filter – pull the tab from the bottom rear of the case to remove dust filter. Clean using a clean, damp cloth or canned air. Once the filter is dry, replace it by sliding it back in between the rails.

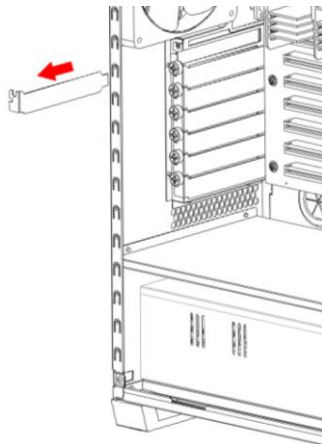


2.11. How to install add-in cards

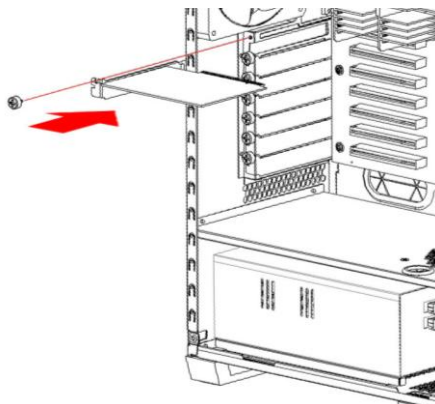
Step 1 – Remove the corresponding thumbscrew from the slot cover.



Step 2 – Remove the slot bracket cover.



Step 3 – Install the card, and secure with thumbscrew from step 2.



2.12. How to connect the front panel connectors

2.12.1. Audio, USB, 1394A, etc.

Connectors are indicated with the pin-outs as shown.

2.12.2. Power, Reset, HDD LED, PWR LED

Pin 1 is indicated by a small arrow on the connector. For more information, see your motherboard manual.

<p>IEEE1394 A</p> <p>TPA+ — [] — TPA- GND — [] — GND TPB+ — [] — TPB- +12V — [] — +12V No Pin — [] — GND</p>	
<p>USB</p> <p>USB+5V — [] — USB+5V LP- — [] — LP- LP+ — [] — LP+ GND — [] — GND No Pin — [] — NC</p>	
<p>AC' 97</p> <p>MIC — [] — GND MIC-BIAS — [] — AUD GND FPOUT-R — [] — RET-R NO PIN — [] — NO PIN FPOUT-L — [] — RET-L</p>	
<p>Azalia</p> <p>PORT1L — [] — AUD GND PORT1R — [] — PRESENCE# PORT2R — [] — SENSE1_RETURN SENSE_SEND — [] — NO PIN PRT2L — [] — SENSE2_RETURN</p>	

3.0. Support and Warranty Info

3.1. Contacting Technical Support

Corsair Technical support can be reached by using any of the methods listed below.

Online: <http://www.corsair.com/helpdesk>

Forum: <http://www.asktheramguy.com>

Phone: 1 (888) 222-4346

3.2. Warranty Information

Limited Warranty And Limitation of Liability

The Product is guaranteed for twenty four (24) months from the date of delivery to the end-user against defects in materials or workmanship. During this period, the Product will be repaired or have parts replaced, at our discretion, provided that: (I) the Product is returned to the agent from whom it was purchased with shipping prepaid; (II) the Product has been purchased by the end-user and not used for hire purposes; (III) the Product has not been misused, handled carelessly, or other than in accordance with any instructions provided with respect to its use; (IV) the Product has not been damaged due to acts of nature, such as lightning, fire, flood, or earthquake; (V) any and all warranty stickers have not been removed or tampered with.

Corsair Memory's warranty on the Product is to the first end user or consumer only, in accordance with the Corsair Memory's Limited Warranty. **All warranties, express or implied, including without limitation the implied warranties of merchantability and fitness for a particular purpose, shall be limited to the duration of the guarantee above. The repair, replacement, or refund as provided under this express limited warranty is the exclusive remedy of the consumer, and is provided in lieu of all other warranties, express or implied. In no event shall Corsair Memory be liable, whether in contract or tort (including negligence) for damages in excess of the purchase price of the product, or accessory, or for any indirect, incidental, special or consequential damages of any kind, or loss of revenue or profits, loss of business, loss of information or data, software or**

applications or other financial loss arising out of or in connection with the ability or inability to use the products or accessories to the full extent these damages may be disclaimed by law.

Corsair Memory's total liability, whether for breach of contract, warranty, tort (including negligence), indemnification or otherwise, is limited to the price of the Product sold under these terms with respect to which losses or damages are claimed. In no event will Corsair Memory be liable for any loss of use, loss of time, inconvenience, commercial loss, lost profits or savings or other indirect, incidental, special or consequential damages to the full extent that may be disclaimed by law. The limitations, exclusions and disclaimers in these terms shall survive a fundamental breach or breach or the failure of the essential purpose of these terms or of any remedy contained herein. No action will be brought for any breach of these terms more than one year after the accrual of such cause of action. For the purpose of this paragraph, "Corsair Memory" includes its affiliates and its and their respective directors, officers, employees and agents, each of whom shall be considered as a trust beneficiary.

